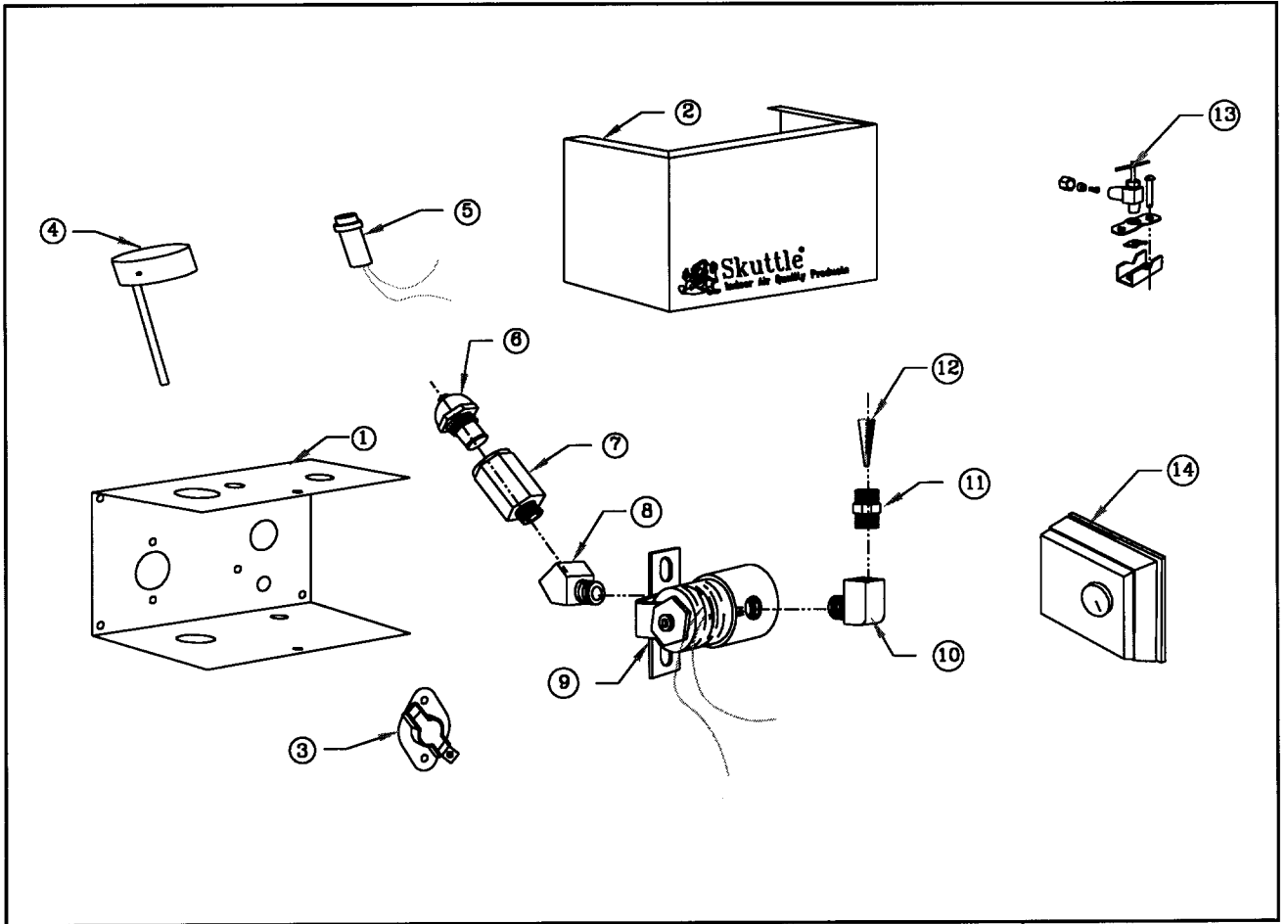


MODEL 592-22 & 592-9 REPLACEMENT PARTS LIST



KEY NO	PART NO.	DESCRIPTION
1	000-1715-013	MOUNTING BASE
2	000-0641-099	COVER
3	000-0431-019	THERMAL SWITCH **{ONLY FOR USE IN 592-22}**
4	A00-1319-034	COPPER DRAIN BASIN ASSEMBLY
5	000-0814-070	24VAC LIGHT
6	000-1106-018	*NOZZLE .5 G.P.H. "FACTORY STANDARD"
7	000-1319-055	NOZZLE BODY
8	000-1319-054	45° STREET ELBOW
9	A01-0814-148	24V SOLENOID VALVE (UNIVERSAL KIT)
10	000-1319-070	90° STREET ELBOW
11	000-1154-000	1/8" MPT TO 1/4" COMPRESSION
12	000-1319-051	IN LINE FILTER
13	A00-1128-005	SADDLE VALVE ASSEMBLY
14	SK0-0055-001	HUMIDISTAT ASSEMBLY

* ADDITIONAL NOZZLE SIZES, PRICE, & PART NO. SHOWN BELOW.

000-1106-017	NOZZLE .37 G.P.H.
000-1106-019	NOZZLE .75 G.P.H.
000-1106-020	NOZZLE 1.0 G.P.H.
000-1106-021	NOZZLE 1.5 G.P.H.
000-1106-022	NOZZLE 2.0 G.P.H.