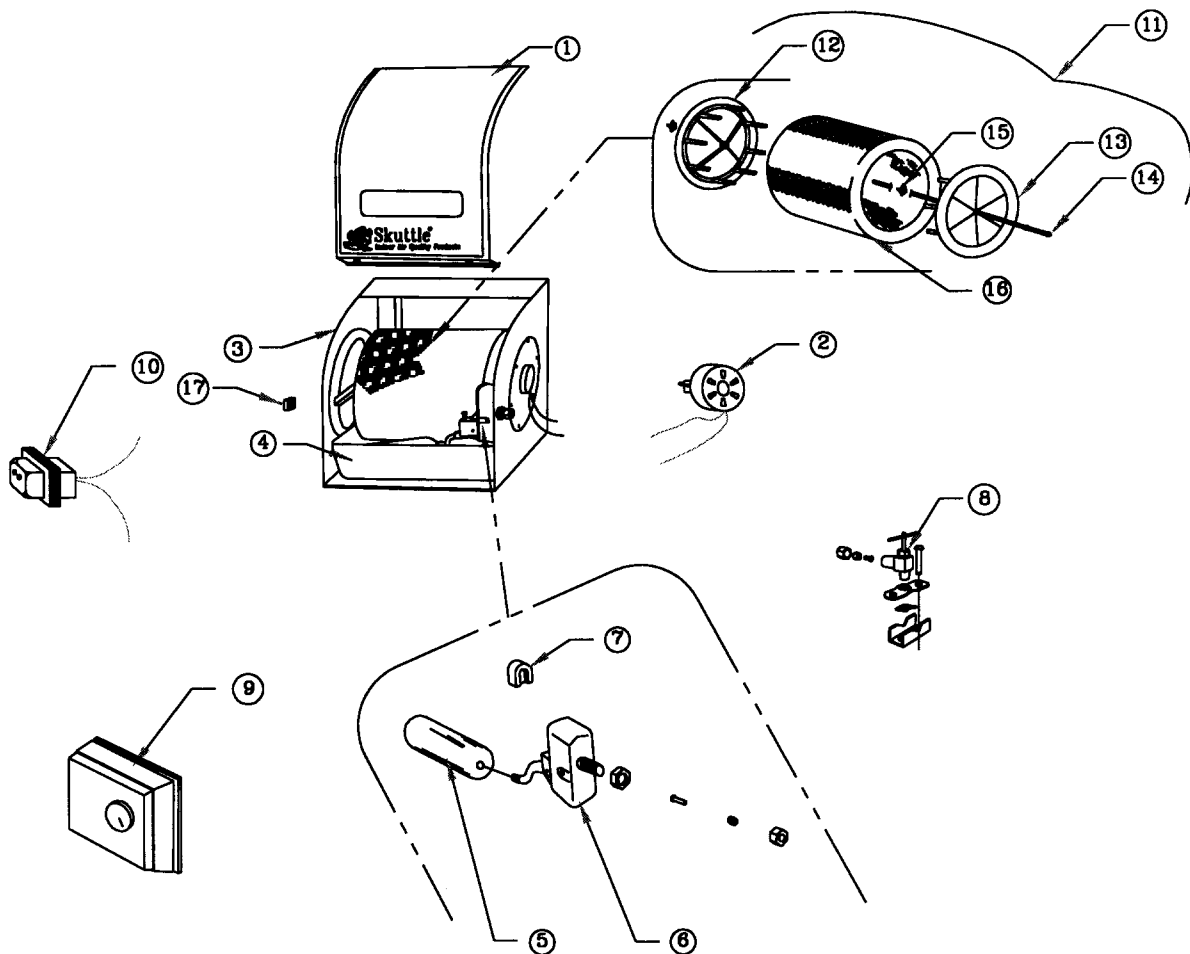


MODEL 90-SH1 REPLACEMENT PARTS LIST



KEY NO	PART NO.	DESCRIPTION
1	A00-0641-103	COVER ASSEMBLY
2	A05-1721-042	MOTOR 24VAC.
3	A00-1730-036	CABINET ASSEMBLY
4	A00-0602-041	WATER PAN
5	A00-1309-005	FLOAT FOR VALVE
6	B48-0000-000	FLOAT VALVE
7	A00-1708-002	VALVE SEAT
8	A00-1128-005	SADDLE VALVE ASSEMBLY
9	SK0-0055-001	HUMIDISTAT ASSEMBLY
10	000-0814-008	TRANSFORMER 24V, 10VA, 120V PRIMARY
11	A01-1722-020	DRUM ASSEMBLY= KEY#s 12,13,14,15
12	000-1722-019	LARGE OPEN DRUM END
13	000-1722-020	LARGE CLOSED DRUM END
14	000-1526-040	DRUM SHAFT
15	000-0692-029	DRUM CLIP / PACKAGED WITH NEW PAD
16	A04-1725-034	EVAPORATOR PAD / INCLUDES CLIPS
17	000-1318-010	DRUM SHAFT BEARING